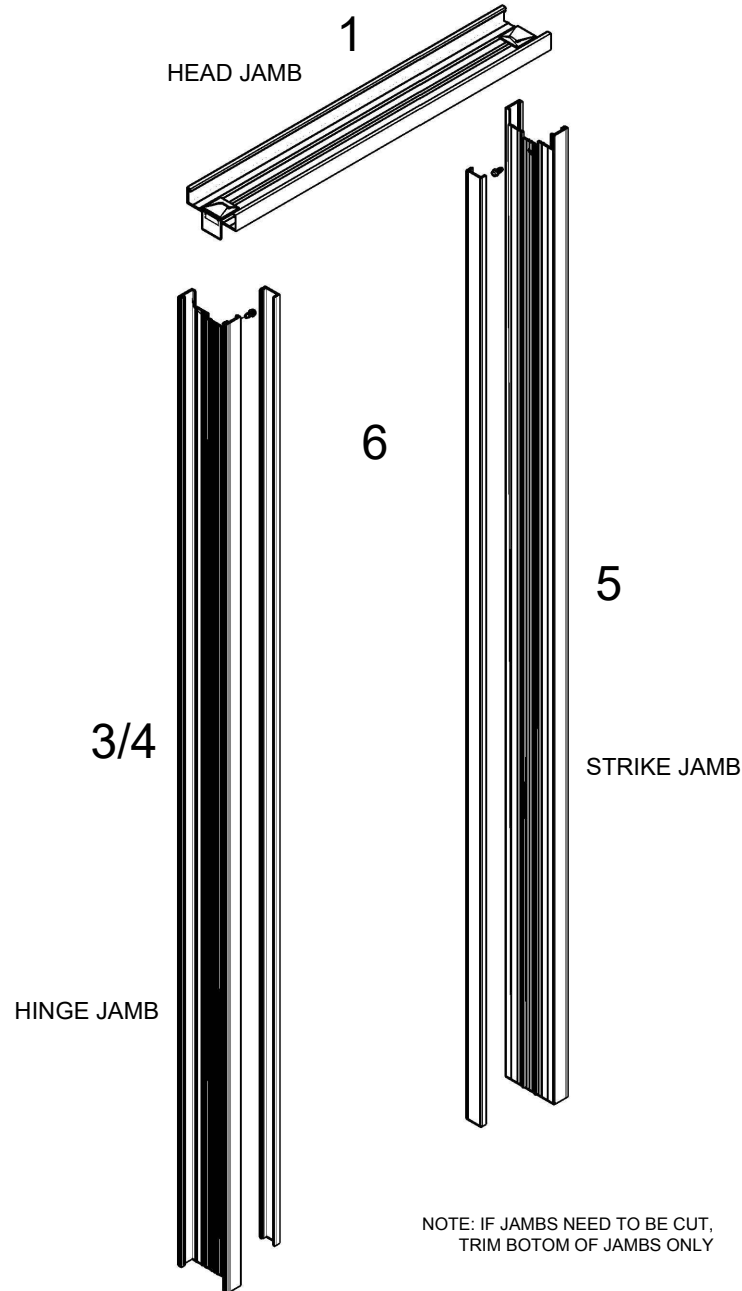
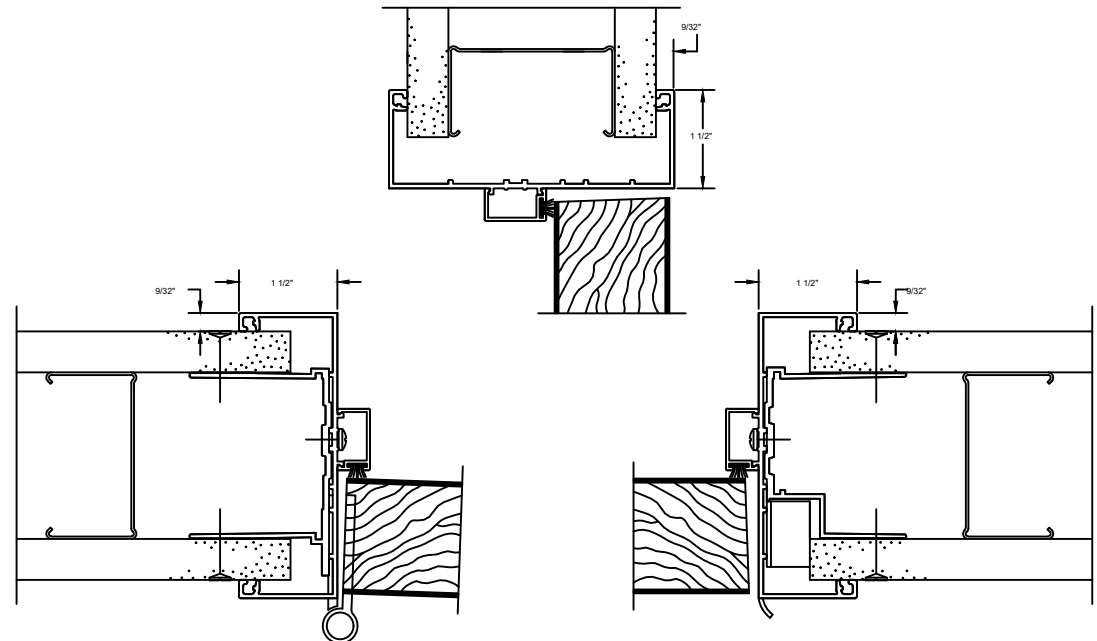




CLASSIC Freestanding Single or Double Frames DRYWALL AT HEAD GENERAL INSTALLATION INSTRUCTIONS



1. PLACE HEADER OVER DRYWALL AND ADJUST TO DOOR OPENING HEIGHT DESIRED.
2. MEASURE DOOR JAMB HEIGHTS NEEDED, TAKING IN ACCOUNT FOR THE 1-1/2" EARS ON THE HINGE OR STRIKE JAMB THAT NEED TO FLUSH TO THE TOP OF THE HEADER, AND CUT JAMBS TO DESIRED HEIGHT.
3. PLACE HINGE JAMB OVER WALL BY CAMING IN THE TOP END OF FRAME OVER WALL AND OVER END OF HEADER, MAKING SURE HEADER CLIP SLIDES BEHIND THE HINGE JAMB. LEVEL HINGE JAMB AND HEADER. ATTACH HEADER TO THE HINGE JAMB, THRU THE PRE-PUNCHED HOLE AT TOP OF THE JAMB, BY USING A ST066(R4) SUPPLIED SELF TAPPING SCREW. MAKE SURE HEADER IS PULLED DOWN TIGHT BEFORE SCREWING TOGETHER.
4. PLUM, LEVEL AND SQUARE HINGE JAMB TO THE WALL AND ATTACH HINGE JAMB TO THE WALL BY USING DRYWALL SCREWS (BY OTHERS). ATTACH HINGE JAMB TO DRYWALL WITH MINIMUM OF 2 DRYWALL SCREWS, PER SIDE, THRU EACH ATTACHED HINGE STUD.
5. INSTALL STRIKE JAMB, SIMILAR TO HINGE JAMB, MAKING SURE HEADER IS LEVEL. ATTACH HEADER TO STRIKE JAMB AND STRIKE JAMB TO WALL SAME AS HINGE JAMB.
6. SNAP ON DOOR STOP TO HINGE AND STRIKE JAMB.



NOT TO SCALE

REVISED 2/17/2017



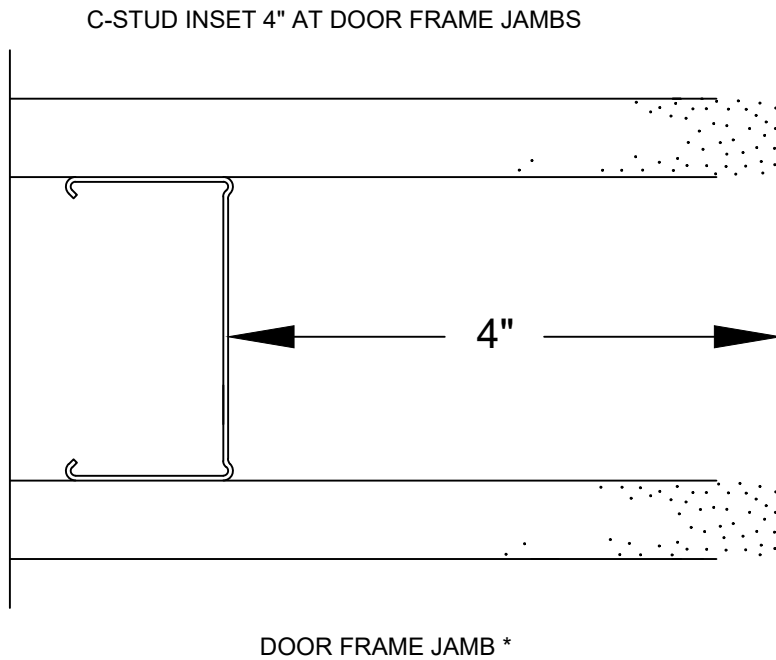
Call your RACO distributor: [HULL SUPPLY CO., AUSTIN, TX](http://www.hullsupply.com) 512.385.1262 www.hullsupply.com



CLASSIC 5/8" DRYWALL CONSTRUCTION

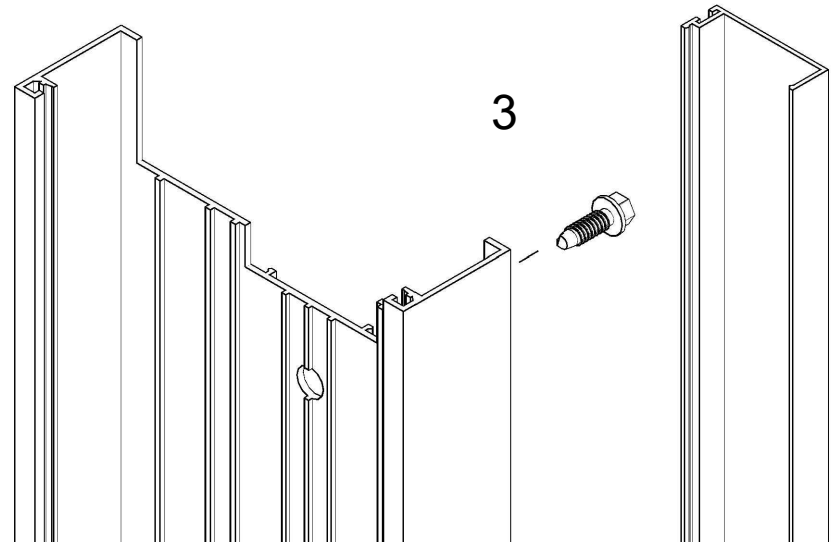
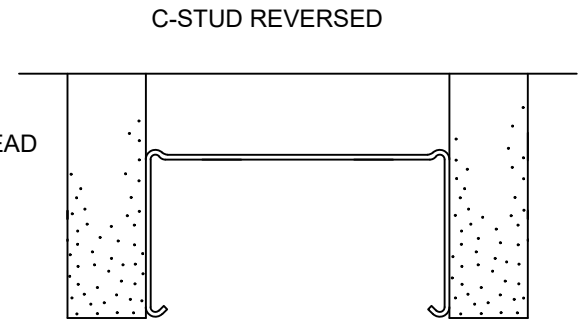
IMPORTANT INSTALLATION INFORMATION:
WALL THICKNESS CANNOT EXCEED 1/16" THICKER THAN NOMINAL.
CLASSIC FITS 2-1/4", 3-3/4", AND 4-7/8"

ROUGH OPENING INFORMATION
DOOR OPENING WIDTH + 1-1/2"
DOOR OPENING HEIGHT + 1/2"



USE STANDARD C-STUD AT HEAD

HEAD **



FOR 1/2" DRYWALL APPLICATION:

- * HOLD DOOR FRAME C-STUD(S) BACK 10" AND FRAME MUST HAVE "SHIM STUD".
- ** HEAD JAMB C-STUD REQUIRE SHIM BETWEEN STUD AND DRYWALL FOR CORRECT FIT.

NOT TO SCALE
REVISED 2/17/2017



Call your RACO distributor: [HULL SUPPLY CO., AUSTIN, TX](http://HULLSUPPLYCO.COM) 512.385.1262 www.hullsupply.com