

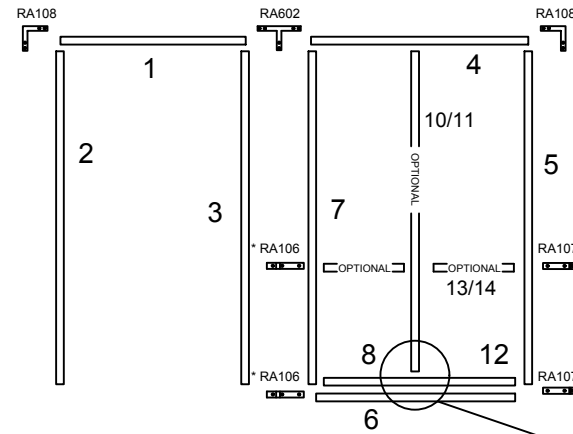


# SOLUTIONS II Single & Double Frame Sidelight Clip Installation Instructions

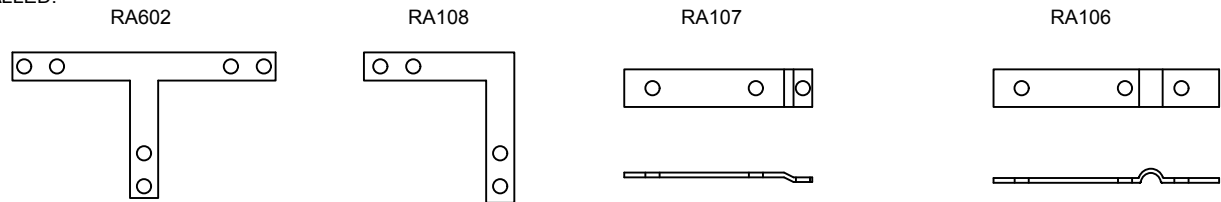
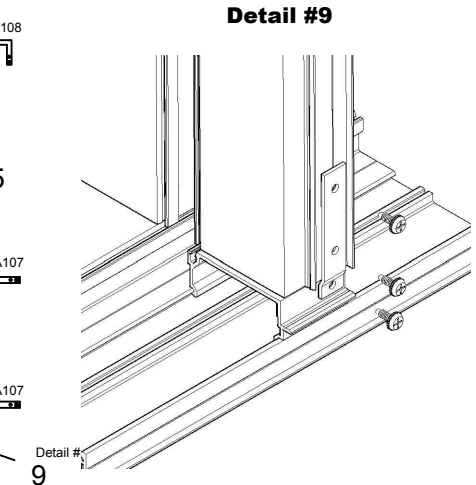
**FRAME MUST BE INSTALLED PLUMB AND SQUARE**

## General Installation Guidelines

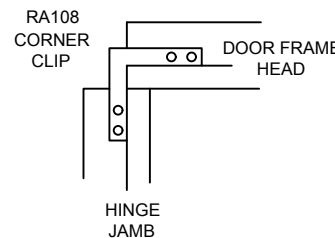
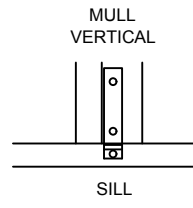
1. SLIP FRAME HEADER OVER DRYWALL TO DOOR OPENING HEIGHT AND LEVEL.
- \* MEASURE AND CUT HINGE JAMB.
2. SLIP HINGE JAMB TABS INTO HEADER SLOTS THEN OVER DRYWALL.
- \* MEASURE AND CUT STRIKE JAMBS.
3. SLIP STRIKE JAMB TABS INTO HEADER SLOTS.
- \* CLIP DOOR FRAME TOGETHER. LEVEL HEAD AND PLUMB JAMB. ATTACH TO DRYWALL BY SCREWING THRU THE SIDES OF THE FRAME WITH DRYWALL SCREWS (BY OTHERS) THAT ARE LONG ENOUGH TO ENGAGE THE C-STUD IN THE WALL. PLACE THE FIRST SCREW WITHIN 3" OF THE TOP OF THE FRAME AND THE BOTTOM SCREW WITHIN 2" OF THE OF THE FRAME. SPACE REMAINING SCREWS EVERY 9-12" APART. NOTE - AT EACH HINGE CUTOUT PLACE A SCREW JUST ABOVE AND BELOW THE HINGE CUTOUT AT EACH LOCATION. SCREWS WILL BE COVERED ONCE TRIM IS INSTALLED.
4. SLIP GLAZING HEAD OVER DRYWALL.
5. SLIP GLAZING JAMB OVER DRYWALL.
6. FIT SILL CHANNEL TO FLOOR WITH SILL CHANNEL CHANNEL USING (RA106) CLIP.
- PLUM / LEVEL STRIKE AND ATTACH STRIKE TO SILL INSERTED INTO STRIKE (MIN. 3/4")
7. INSTALL GLAZING INSERT INTO BACK OF STRIKE JAMB.
8. THROAT SILL CHANNEL WITH GLAZING BASE.
- \* PLUM / LEVEL GLAZING HEAD, JAMB , BASE AND SCREW TO WALL & SILL CAN. INSTALL CLIPS AS SHOWN.
9. IF USING VERTICAL MULLIONS INSTALL SMALL PIECE OF GLAZING SNAP UNDER VERTICAL MULL AT BASE (DETAIL #9)
- 10/11. IF USING VERTICAL MULLIONS SCREW GLASS JAMB AND INSERT TOGETHER EVERY 8" TO 10"
12. INSTALL BASE SNAPS.
13. INSTALL HORIZONTAL MULLION WITH (RA106) & (RA107) IF REQUIRED
14. INSTALL HORIZONTAL SNAPS.
15. INSTALL TRIM ON FRAME AND SIDELIGHT NOTCH AS REQUIRED.



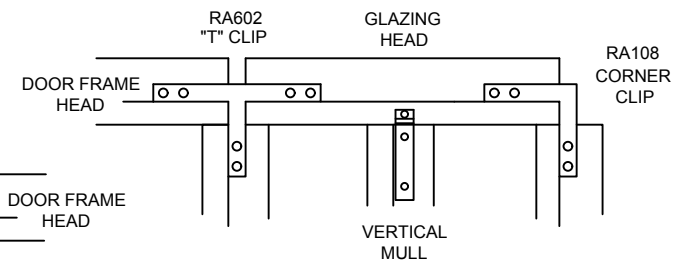
\* = When using 2" trim use RA107 clip at this location instead of RA106 clip



ST137



**NOTE: TRIM REQUIRES FIELD NOTCHING AT EACH CLIP CONNECTION**



**NOT TO SCALE**

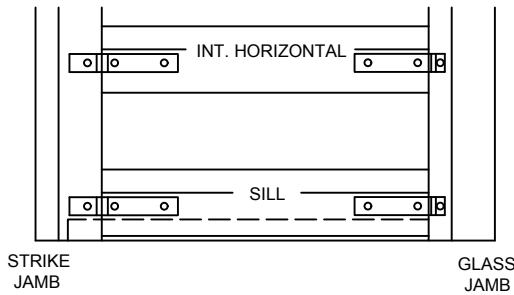
REVISED 4/6/2017



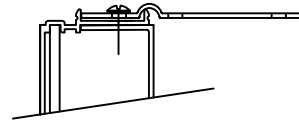


# SOLUTIONS II Single & Double Frame Sidelight

FRAME MUST BE INSTALLED PLUMB AND SQUARE



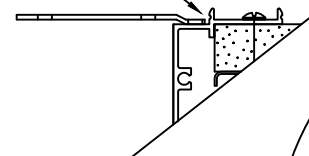
SIDE VIEW CLIP DIAGRAM  
CLIP RA106 @ STRIKE JAMB



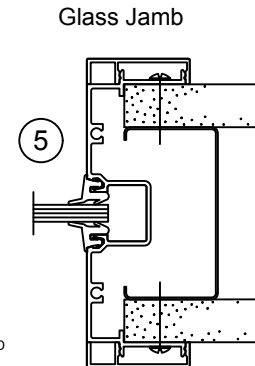
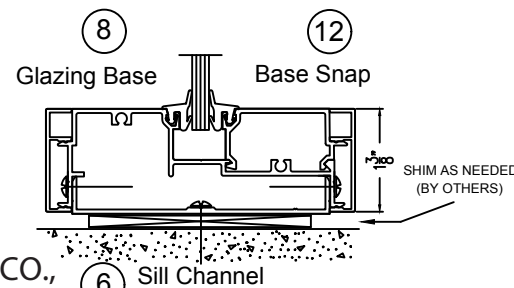
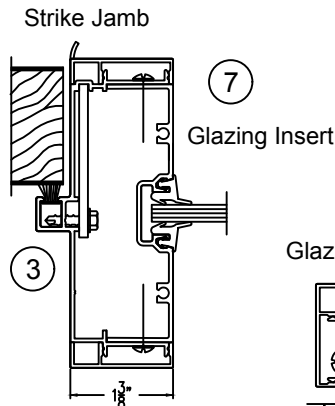
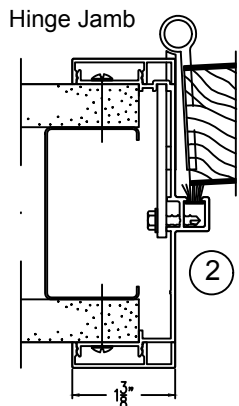
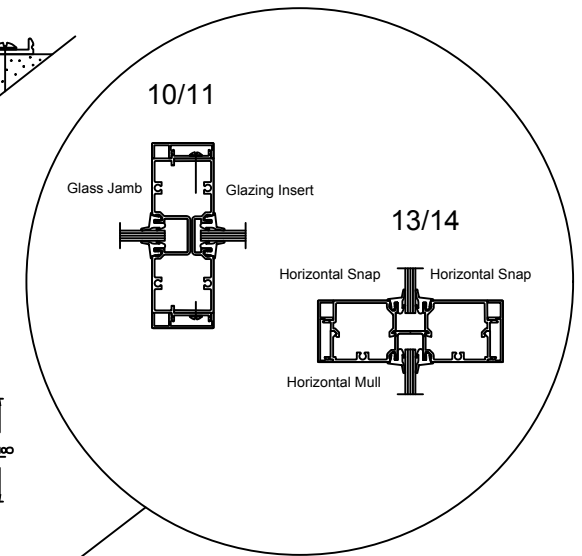
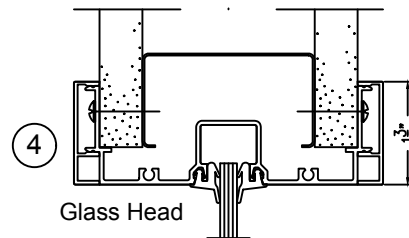
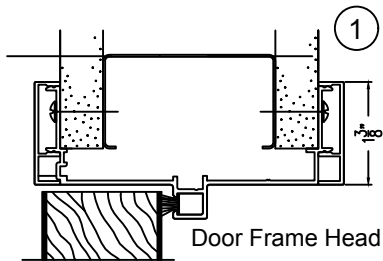
ROUGH OPENING FORMULA

$$RO = \text{DOOR OPENING} + \text{DLO} + \text{VERTICAL MULLIONS} + 1\text{-}1/2\text{'}$$

SIDE VIEW CLIP DIAGRAM  
CLIP RA107 @ GLASS JAMB  
HOLD BACK 1/16"



ROUGH OPENING FORMULA  
RO = DOOR OPENING + DLO + VERTICAL MULLIONS + 1-1/2"



**NOT TO SCALE**

REVISED 4/6/2017



Call your RACO distributor: HULL SUPPLY CO.,  
AUSTIN, TX 512.385.1262 [www.hullsupply.com](http://www.hullsupply.com)