



HULL SUPPLY CO., INC.
 5117 E CESAR CHAVEZ, AUSTIN, TX 78702
 512-385-1262 www.hullsupply.com

ESSENTIAL DOOR / FRAME / HARDWARE INFORMATION

Fill in the blanks or circle the choices.

This sheet is for Door # _____

Wall Type: _____ Width of wall: _____

Fire Rating: Y / N Minutes _____

Handing: - RH - LH - RHR - LHR
 - RHRA - LHRA - RH/LH - ASTRAGAL

FRAME: - Hollow Metal - Prefinished Steel - Aluminum

SNGL - PAIR

W - _____ x H - _____ PROFILE - _____ ANCHOR _____

Sidelite: W - _____ x H - _____

Borrowed Lite: W - _____ x H - _____ PROFILE: _____

DOOR: Thickness 1-3/8" 1-3/4"

Hollow Metal? 18ga / 20ga

Wood Laminate Hollow Core Solid Core VENEER:

UC -

Lite Kit: MTL / WOOD Centered? : Y / N Size: W - _____ x H - _____

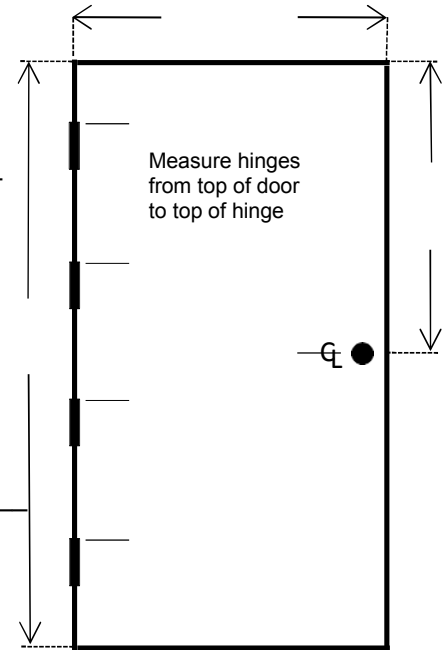
Position - from top of door _____ from strike edge:

Glass: Y / N WIRE / TEMP W - _____ x H - _____ DIA:

Louver: Y / N RATED / NON-RATED centered? Y / N

Size: W - _____ x H - _____ Distance from bottom of door

DOOR DIMENSIONS



HARDWARE - LIST HARDWARE BRAND & MODEL FOR REINFORCEMENT & PREPS

HINGE BUTTS: 3-1/2" 4-0" 4-1/2" 5-0" STD / HVY / NRP

FRAME BACKSETS: HINGE: 5/16" Other: _____ STRIKE: 4-7/8" OTHER _____

LOCKSET: _____

PASSAGE: _____

DEADLOCK: _____

EXIT DEVICE: _____

CLOSER: _____

FLUSHBOLT: _____

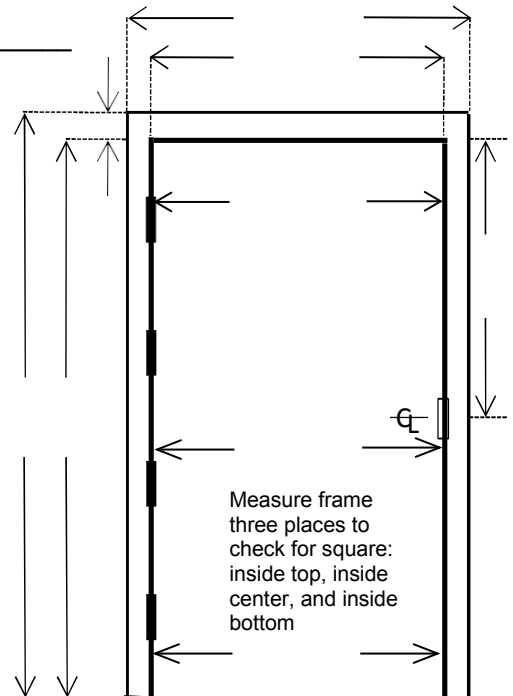
THRESHOLD: _____

WEATHERSTRIP: _____

OTHER: _____

KEYING INFO: _____

FRAME DIMENSIONS



FRAME PROFILE DIMENSIONS

